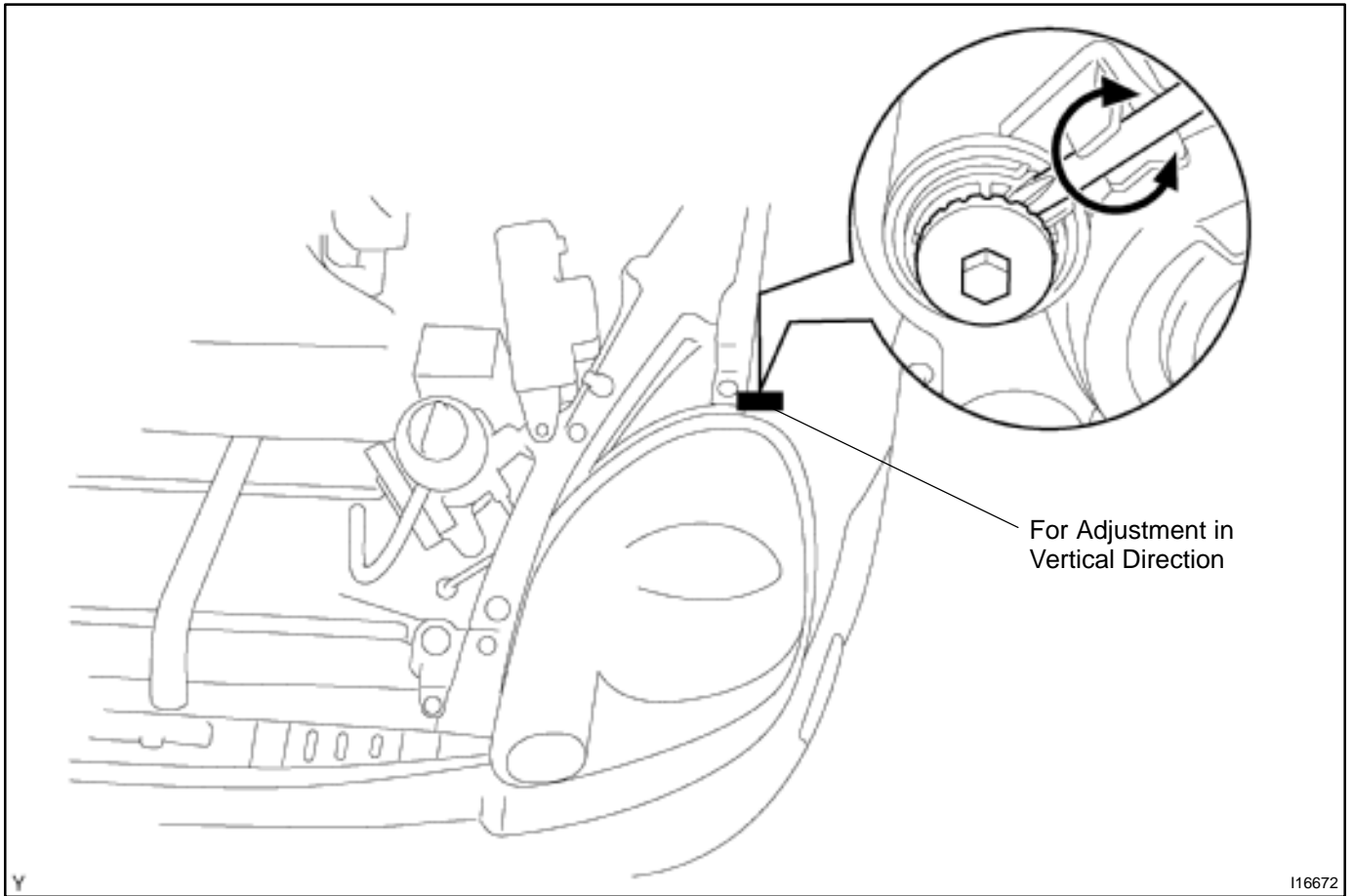
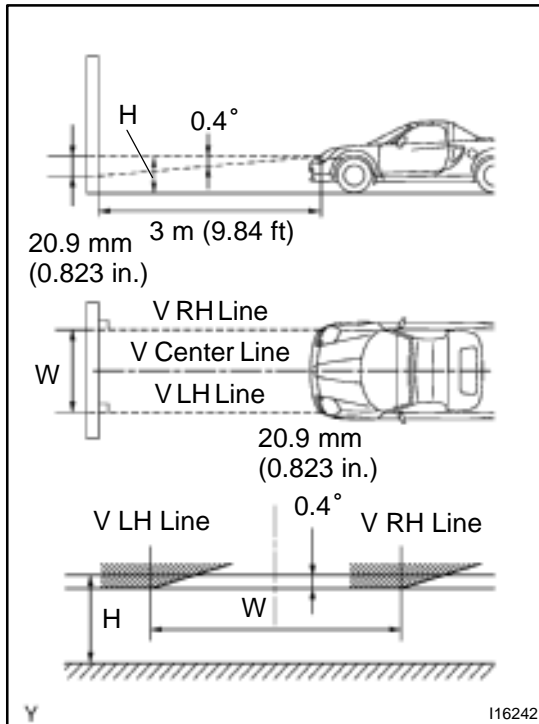


ADJUSTMENT





ADJUST HEADLIGHT AIM

- (a) Put the vehicle under the following conditions.
 - Make sure the body around the headlight is not deformed.
 - Park the vehicle on a level spot.
 - Get into the driver's seat and be ready for driving (with a full tank).
 - Bounce the vehicle several times.
 - Tire inflation pressure is the specified value.
- (b) Prepare the thick white colored paper.
- (c) Stand the paper perpendicularly and ensure the distance from it to the head lights is 3 m (9.84 ft).
- (d) Ensure that the center line of vehicle and the paper are at a 90 degree angle as shown in the illustration.(H line)
- (e) On the paper, draw a horizontal line indicating the longitudinal headlights (low beam and high beam center mark) position.
- (f) On the paper. draw a vertical line indicating the center of the vehicle (V center line)
- (g) On the paper, draw vertical lines indicating the lateral headlights (low beam and high beam center marks) positions.(V RH and LH lines)
- (h) Take an appropriate measure so as not to affect the other light.

NOTICE:

- **Disconnect the connector of another light to prevent heat affection from the light because the other lens of the head light assembly is made of synthetic resin. When connecting the connector again take care not to make the aiming out of adjustment.**
 - **When covering the headlight, finish it within 3 minutes.**
- (i) Turn the headlights ON.
 - (j) Check that the head lights light up the paper as shown in the illustration.

HINT:

As shown in the illustration, adjust aiming of the LH and RH lights respectively.